

FEATURES

- Superior Heat Transfer for High Temperature Operation
- Wide Dynamic Range and Excellent S/N Ratio
- High Sensitivity Complementary Color Filter
- High Resolution (470 Horizontal TV Lines)
- AGC on-off, Auto White Balance on-off
- Ruggedized for Harsh Environments
- NTSC/PAL or Y/C Video Output
- Miniature Size (See Drawing)
- High Speed Shutter Control (Auto Iris CCD)
- Optional RS-232 Remote Interface

General Description

The RSC-A90 and RSC-A100 cameras are high resolution cameras that offer the user outstanding color fidelity and full, broadband response for high resolution color applications. These cameras are excellent for applications such as machine vision, object recognition, medical research, process monitoring, airborne imaging and remote observation. Low light sensitivity is 3 lux at F1.2 thanks to their 1/2" CCD hyper HAD Imager. These cameras offer many standard features in a compact package including: composite or Y/C output; high speed shutter; TTL (through-the-lens) auto/manual white balance and AGC on/off switch (note: PAL versions: RSC-A90P and RSC-A100P).

For operation with MIL-STD-704 power sources use the optional RPS-77. This rugged power supply and breakout box provide regulated 12 VDC to the camera from 20-30 VDC unregulated. The RPS-77 also provides standard BNC connectors for video output.

Video Specifications

Pick-up Device	Interline transfer Hyper HAD CCD
Picture Elements	768(H) x 494 (V)
Signal Systems	NTSC or Y/C, Selectable
Lens Mounting	17mm, (or C-Mount adaptor)
Sync Systems	Internal/External, HD/VD
Horizontal Resolution	470 TV Lines
Sensitivity	3 Lux, @ F1.2 (AGC on)
Shutter Speed	Up to 1/100,000 sec.
S/N Ratio	Better than 48 dB
Gamma	0.45/1
AGC	On/Off
Power Requirements	12 VDC, 2-4 Watts
Additional Feature	CCD electronic auto shutter (CCD Iris)



RSC-A100



RSC-A90

Environmental Specifications

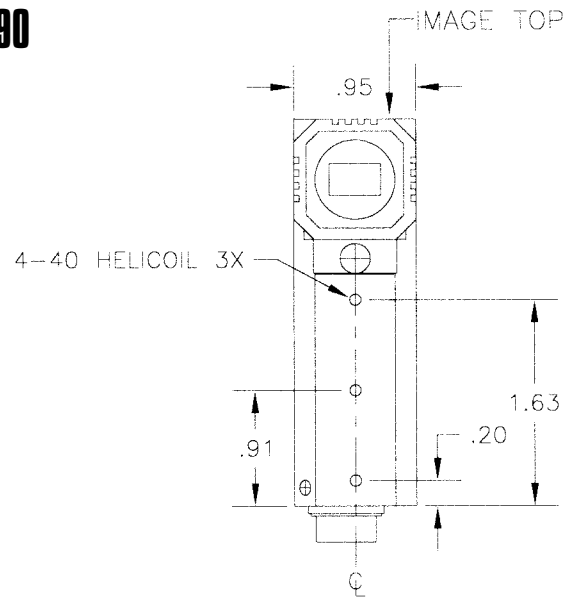
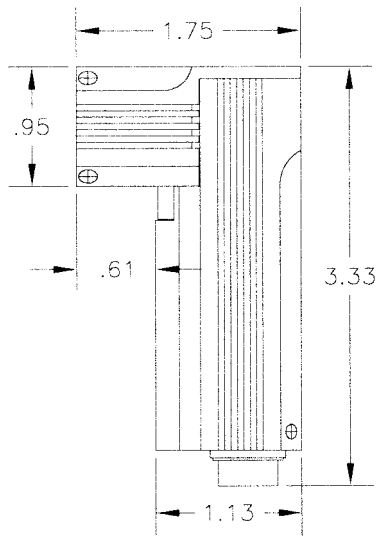
Storage Temperature	-55°C to +80°C
Operating Temperature	-40°C to +65°C (+80°C for 30 min.)
Altitude (Norm.Operational)	Sea Level to 200,000 ft.+
Altitude (Non-Operational)	-15,000 ft. to 200,000 ft.+*
Altitude (Decompression)	23,000 ft. to 43,000 ft., 15 sec.*
Storage Humidity	95% (50°C) to 85% (38°C)
Operating Humidity	5% to 90% relative humidity (non-condensing)
Vibration (Operational)	7G's RMS Random 15-2000Hz
Acceleration (Operational)	12 G's in all axes
Shock (Operational)	9 G's, 11ms half-sine, 3 shocks each direction 20 G's, 11ms half-sine, 1 shock each direction
Electro-Magnetic Interference	MIL-STD-461, Radiated Emissions (RE02)
Weight	3.5 Ounces (95 grams)

*Please consult SEKAI for details.
Specifications subject to change without notice.

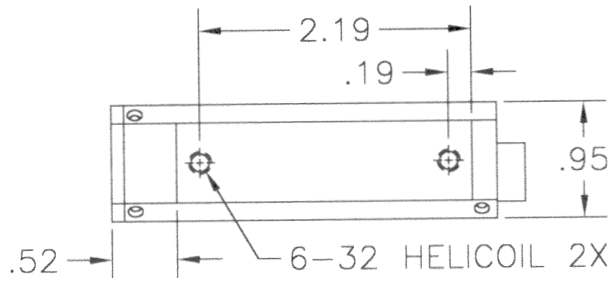
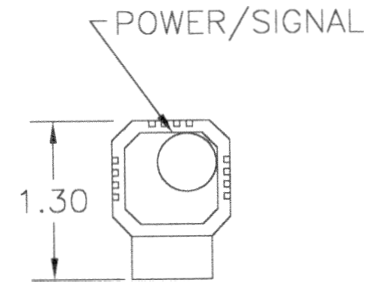
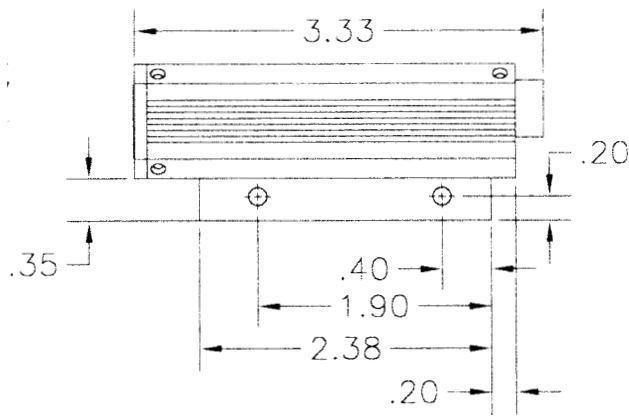
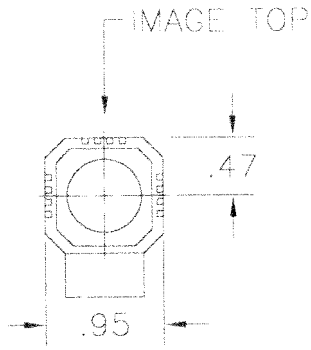
SE-122 7/02



RSC-A90



RSC-A100



All measurements are in inches